

# STD-22 SILVER ET2 TUMBLE DRYERS



## EASY TOUCH 2

7" touch screen user friendly and programmable ET2  
USB Connection. Online platform free of charge for programming, telemetry, data analysis  
Videos on display (ads, instructions, etc.)  
37 languages



## OUTSTANDING FEATURES

Reversing drum action as standard  
Stainless steel drum as standard  
Frequency inverter as standard



## EFFICIENCY

DOUBLE FLOW - mixed axial-radial airflow  
Big fluff filter



## VERSATILITY

Make to order - customisation  
WET CLEANING  
OPL > Multivending - Standard OPL model easily transformable to coin laundry uses



## CONNECTIVITY

**Danube Online communication - IoT standard**  
Remote technical service  
Management of laundries: OPL and COIN  
Remote payment



## ERGONOMICS

Drawer as fluff filter, stainless steel mesh  
Biggest door diameters



## MAINTENANCE

Hinged control panel: easy and ergonomic access  
Technical menu: statistics for technicians and maintenance with external console (with console option)



## OTHERS

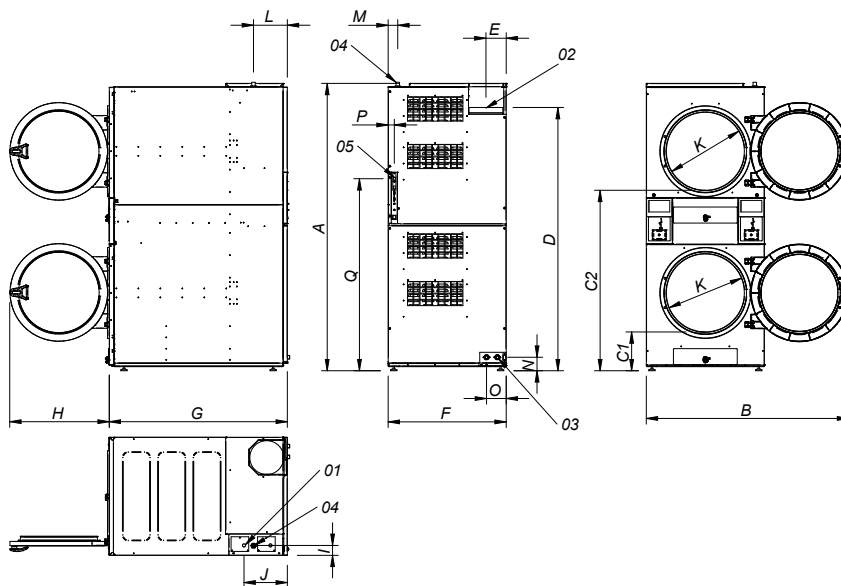
Grey skinplate outer casing, stainless steel look  
SOFT DRY - new drum with stamped holes  
COOL DOWN - anti-wrinkle at the end of the cycle  
Electric or gas heating  
CE approved



## OPTIONS

- CARE DRY- Intelligent humidity control. Temperature probe at drum inlet.
- Double door glass
- SPRINKLER - Integrated Fire Extinguishing System
- Tropicalized model
- Opposite door opening
- Perfume dosing-spraying
- Back panel external air + filter
- Fluff filter with grid 0,3 mm (standard is 0,6mm)
- Stainless steel front and side panels
- Frontal panel in stainless steel
- Maritime wooden packing
- Ship voltage for electric models: 440V III 50/60 Hz No neutral
- Other voltages available

TECHNICAL DATA	UNIT.	STD-22 SILVER ET2
<b>CAPACITY</b>		
Capacity 1/18	Kg	48
Capacity 1/20	Kg	44
Hourly Output (gas)	Kg/h	88
Evaporation capacity (gas)	l/h	44
<b>DRUM</b>		
Ø Drum	mm	835
Ø Door	mm	574
Door center height	mm	574 / 1.618
Door base height	mm	272 / 1.322
Drum length	mm	800
Drum volume	l	438
<b>POWER</b>		
Drum motor power	kW	0,37 x 2
Fan motor power	kW	0,55 x 2
Electric heating power	kW	-
Total electric power (elec.model)	kW	-
Gas heating power	kW	30,4 x 2
Instant propane gas consumption (G31)	kg/h	1,03 x 2
Instant natural gas consumption (G20)	m3/h	1,27 x 2
Total electric power (gas model)	kW	1,94
<b>CONNECTIONS</b>		
		<b>GAS</b>
Tension 230V - I + N + T	Nº x mm2 / A	3 x 1,5 / 20A
Tension 230V - III + T	Nº x mm2 / A	-
Tension 400V - III + N + T	Nº x mm2 / A	-
Ø Gas inlet	BSP	3/4"
<b>DIMENSIONS / PACKING DIMENSIONS</b>		
Net width / Gross width	mm	870 / 950
Net Depth / Gross Depth	mm	1.328 / 1.411
Net Height / Gross Height	mm	2.117 / 2.250
Net weight / Gross weight	Kg	374 / 394
<b>OTHERS</b>		
Max airflow	m3/h	900 x 2
Ø Fume exhaust	mm	250
Sound level	dB	69



- 01** ELECTRIC CONNECTION
- 02** FUMES OUTLET Ø250
- 03** 2 SPRINKLER VALVES 3/4"
- 04** GAS INLET 3/4
- 05** ETHERNET CONNECTION (only available CONTROL ET2 models)

	A	B	C1	C2	D	E	F	G	H	I	J	K	L	M	N	O	P	Q
STD-22	2118*	1490	286	1330	1940	149	870	1312	735	73	320	575	250	70	100	145	45	1416

\* Measurement with legs mounted (30mm)

