



# HIGH SPIN WASHER EXTRACTORS

WED-11 / 14 / 18 ET2



## EASY TOUCH 2

User friendly and totally programmable 7" ET2  
USB Connection. PC software free of charge for  
programming, traceability, data analysis...  
Videos on display (ads, instructions)  
37 languages  
8 dosing signals as standard



## G FACTOR

High G-Factor: 450  
Reduced residual moisture, reduced drying time



## EFFICIENCY

Intelligent consumption  
Optimal loading  
Water Recovery tanks ready: AQUABAC  
Low water consumption



## VERSATILITY

Make to order: customisation  
OPL < > COIN  
Electric < > Hot water  
Drain valve < > Pump  
WET CLEANING features as standard



## CONNECTIVITY

Remote technical service  
Management of laundries: OPL and COIN  
Remote payment



## ERGONOMICS

Biggest door diameters: Ø 373 mm (for WED-11/14)  
and Ø 460 mm (for WED-18)  
Easy opening/closing system for door lock



## MAINTENANCE

Hinged panel: easy access to parts  
Equivalent parts for all models: contactors,  
electronic devices, gear  
Technical menu: traceability, error diagnosis



## OTHERS

Free standing models  
Grey skinplate outer casing  
Drum and tub in stainless steel AISI 304  
Detergent dispenser with 4 compartments  
Electronic control of imbalance with frequency control  
LOADING AID feature: water and rotation control  
CE and WRAS approved product. Option ETL



## OPTIONS

- Double drain
- External double drain 3" (recommended for WED-11)
- Drain pump for models WED-11 and WED-14
- Normally closed valve
- AQUA FLOW: recirculation of bath water
- Levelling feet
- 6 extra dosing signals relay card
- Weighing system: automatic weighing sensor system on feet (Includes 6 extra dosing signals kit)
- Printer
- Danube Online IoT communication
- Silicone gasket
- Reversible door opening
- Tropicalized model: protected board
- Steam kit to transform an E or HW heated machine into steam version
- Plinth to level all machines from top
- Plinth to align loading height (door base at 850 mm)
- Plinth for mops: filter included
- Stainless steel AISI 304 outer casing
- Stainless steel AISI 304 front panel
- Coin/token kits
- Delayed door opening in case of power outage

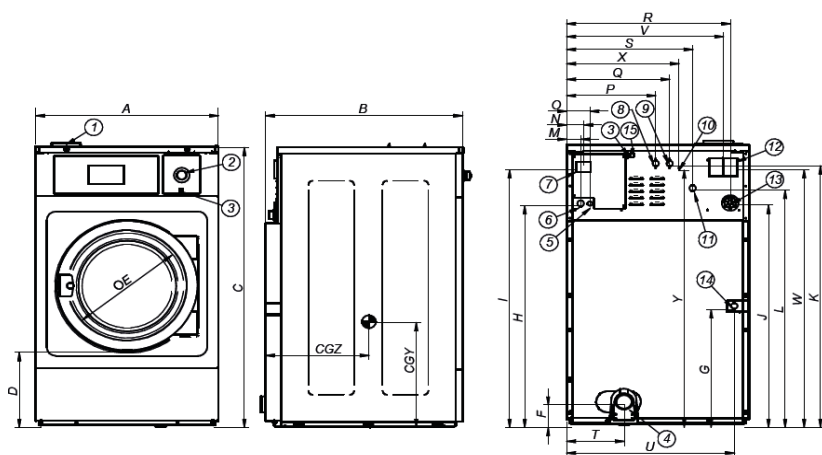


Intertek



Intertek

TECHNICAL DATA	UNIT.	WED-11 ET2	WED-14 ET2	WED-18 ET2			
<b>DRUM</b>							
Load capacity 1:9 / 1:10	Kg	11/10	14/13	20/18			
Volume	l	100	130	180			
Diameter	mm	532	620	700			
Depth	mm	425	430	470			
<b>GENERAL DETAILS</b>							
Washing speed / Spining speed	r.p.m.	50/1.231	50/1.138	47/1.071			
G Factor	-	450	450	450			
Maximum force transmitted	KN	2,08 ±0,75	2,49 ±1,05	3,41 ±1,4			
Frequency-dynamic force	Hz	16,7	16,7	16			
Noise level	dB	<70	<70	<70			
Coin laundry version	-	YES	YES	YES			
Double drain	-	OPT (external)	OPT	OPT			
Weighing System / Tilting System	-	OPT / NO	OPT / NO	OPT / NO			
<b>DOOR</b>							
Height door center / door base	mm	630/370	700/440	765/450			
Diameter	mm	373	373	460			
<b>POWER</b>							
Motor	kW	0,75	1,1	2,2			
Electric heating power	kW	6	9	12			
Total electric power (electric model)	kW	6,25	9,4	12,75			
Total electric power (hw, steam model)	kW	0,75	1,1	2,2			
<b>CONNECTIONS</b>							
		ELECTRIC	STEAM / HOT WATER	ELECTRIC	STEAM / HOT WATER.	ELECTRIC	STEAM / HOT WATER.
Tension 230V - I + N + T	N° x mm2 / A	2 x 4 / 32A	2 x 1,5 / 6A	2 x 10 / 50A	2 x 1,5 / 10A	2 x 16 / 63A	2 x 1,5 / 10A
Tension 230V - III + T	N° x mm2 / A	3 x 2,5 / 20A	-	3 x 4 / 25A	-	3 x 6 / 40A	-
Tension 400V - III + N + T	N° x mm2 / A	4 x 1,5 / 10A	-	4 x 1,5 / 16A	-	3 x 2,5 / 20A	-
Steam inlet (Steam model)	Inch	1/2"		1/2"		1/2"	
Maximum steam consumption (Steam model)	Kg/h	7		8,5		12	
Water inlet	Inch	3/4"		3/4"		3/4"	
Water main pressure	Kgs/cm <sup>2</sup>	2-4		2-4		2-4	
Maximum water consumption*	Lit/h	71,4		88,8		118,3	
Drain	Inch	3"		3"		3"	
Drainage capacity	Lit/min	200		200		200	
<b>DIMENSIONS / PACKING DIMENSIONS</b>							
Net Width / Gross Width	mm	692/730		788/830		884/930	
Net Depth / Gross Depth	mm	788/1.000		869/1.010		913/1.030	
Net Height / Gross Height	mm	1.185/1.417		1.307/1.560		1.415/1.700	
Net weight / Gross weight	kg	230/239		250/283		360/393	
Volume	m3	1,03		1,34		1,65	



\* N°20 Program, 75% load

- 1 SOAP DISPENSER
- 2 EMERGENCY STOP
- 3 USB PORT
- 4 DRAIN
- 5 ELECTRIC CONNECTION TO LIQUID SOAP PUMPS
- 6 ELECTRICAL CONNECTION
- 7 MAIN SWITCH
- 8 AUXILIAR WATER INLET
- 9 HOT WATER INLET
- 10 EQUIPOTENTIAL CONNECTION
- 11 COLD WATER INLET
- 12 BLUR OUTPUT / WATER OVERLOAD
- 13 LIQUID SOAP CONNECTION
- 14 STEAM CONNECTION
- 15 ETHERNET PORT

	A	B	C	D	E	F	G	H	I	J	K	L	M	N	O	P	Q	R	S	T	U	V	W	X	Y	CGY	CGZ
WED-11	692	788	1.185	370	373	125	354	913	1.085	916	1.100	985	61	74	101	292	352	610	448	226	626	580	1.080	442	1.145	424	577
WED-14	788	869	1.307	440	373	243	385	1.034	1.202	1.037	1.221	1.106	61	74	101	385	445	706	544	243	718	676	1.202	485	1.201	450	651
WED-18	884	913	1.415	450	460	95	380	1.135	1.303	1.138	1.322	1.207	61	74	101	429	509	802	640	348	814	772	1.303	569	1.297	464	702