

# PROFESSIONAL DRYERS

DPR-8 / DPR-10 ET2

## VERSATILITY

OPL <> SELF

SINGLE <> STACKED

Can be stacked with a WPR washer or another DPR dryer

Reversible control panel

Suitable for many sectors: restaurants, hotels, gyms, campings, laundromats, nurseries, facility services (mops)...

New gas heated models

## FEATURES

EASY TOUCH 2: user friendly and fully programmable microprocessor with a 4,3" touch screen

USB connection

Remote WiFi connection

Reduced drying time (less than 45 minutes)

Heating: 6,75 kw, option 4,5 kw

## EFFICIENCY

Improved airflow system

Big fluff filter as drawer

Stacked machines: control panel can be inverted to the bottom for better ergonomics

## ROBUSTNESS

Outer casing in grey skinplate

Sturdy door made in aluminium

Drawer as fluff filter: not in the door

Industrial fan and powerfull airflow

Sturdy construction of the structure and panels

## OTHERS

Transmission by pulley and belt

Galvanized drum

Axial airflow

Big door diameter: 588 mm

Integrated COOL DOWN: anti-wrinkle at the end of drying cycle

Electric or gas heating

CE approved



WPR+DPR

## OPTIONS

- CARE DRY : humidity control
- Reversible door opening
- AISI 304 stainless steel outer casing
- AISI 304 stainless steel drum
- Control panel in the bottom (stacked dryer)
- Danube Online communication
- Tropicalized model: protected board
- Ergonomic plinth (improved loading height)
- Coiner kits: coins/tokens + box, central pay



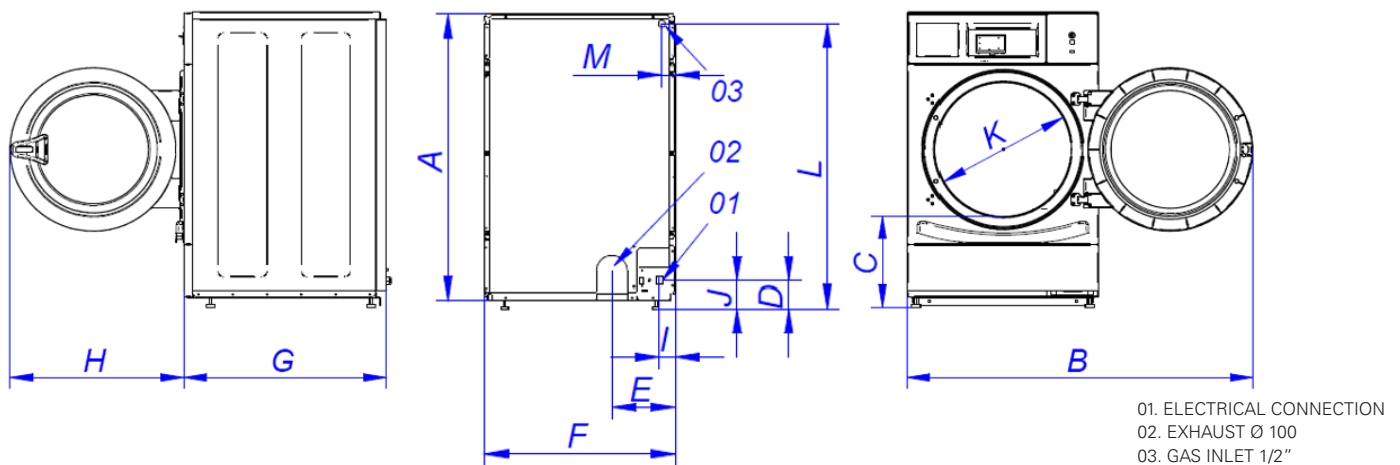
Intertek



Intertek

TECHNICAL DATA	UNIT.	DPR-8 ET2	DPR-10 ET2		
<b>DRUM</b>					
Capacity 1:20	Kg	8	10		
Volume	l	160	200		
Drum diameter	mm	590	590		
Drum depth	mm	585	690		
<b>GENERAL DATA</b>					
ET2 control	-	4,3" touch screen	4,3" touch screen		
USB connection	-	YES	YES		
Construction	-	Skinplate	Skinplate		
Plinth	-	Opt	Opt		
Sound level	dB	62	62		
Self service version	-	YES	YES		
<b>DOOR</b>					
Height door center	mm	554	554		
Height door base	mm	320	320		
Door diameter	mm	480	480		
<b>POWER</b>					
Motor	kW	0,37	0,37		
Electric heating	kW	4,5 / 6,75	4,5 / 6,75		
Gas heating	kW	7	7		
LPG gas consumption	Kg/h	0,45	0,45		
Natural gas consumption	m3/h	0,46	0,46		
<b>CONNECTIONS</b>		<b>ELECTRIC</b>	<b>GAS</b>	<b>ELECTRIC</b>	<b>GAS</b>
Tension 230V I+N+T 50/60Hz	N° x mm2 / A	3 x 10 / 40A	3 x 1,5 / 10A	3 x 10 / 40A	3 x 1,5 / 10A
Tension 230V III +T 50/60Hz		4 x 4 / 25A	3 x 1,5 / 10A	4 x 4 / 25A	3 x 1,5 / 10A
Tension 400V III +N+T 50/60Hz		5 x 2,5 / 16A	3 x 1,5 / 10A	5 x 2,5 / 16A	3 x 1,5 / 10A
Tension 440V III +T 60Hz		5 x 2,5 / 16A	2 x 1,5 / 10A	5 x 2,5 / 16A	2 x 1,5 / 10A
Tension 480 V III + T 60Hz		5 x 2,5 / 16A	2 x 1,5 / 10A	5 x 2,5 / 16A	2 x 1,5 / 10A
Fume exhaust diameter	mm	100		100	
Maximum Airflow	m3/h	300		300	
Optimal airflow	m3/h	200		200	
Outlet pressure	mbar	1,6		1,6	
<b>DIMENSIONS / PACKING DIMENSIONS</b>					
Net / gross width	mm	680 / 710		680 / 710	
Net / gross depth	mm	722 / 832		775 / 832	
Net / gross height	mm	1.056 / 1.141		1.056 / 1.141	
Net / gross weight	kg	89 / 101		93 / 104	
Volume	m3	0,67		0,67	

We recommend at least a free air intake 4 times the inlet section 0,0314 m<sup>2</sup> or equivalent to 10 Pa of pressure drop. The minimum free air take in any case must be 0,0161 m<sup>2</sup> (25 in<sup>2</sup>).



	A	B	C	D	E	F	G	H	I	J	K	L	M
DPR-8	1.056	1.227	320	140	226	680	722	615	57	91	480	1.015	50
DPR-10	1.056	1.227	320	140	226	680	775	615	57	91	480	1.015	50