



PROFESSIONAL DRYERS

DPR-8 / DPR-10 EM



VERSATILITY

OPL <> SELF
SINGLE <> STACKED

Can be stacked with a WPR washer or another DPR dryer. Reversible control panel (except Basic model)
Suitable for many sectors: restaurants, hotels, gyms, campings, laundromats, nurseries, facility services (mops)...
New gas heated models



FEATURES

EM PROGRAMMER: selection of time and temperature, simple and versatile (standard or self-service version)
Reduced drying time (less than 45 minutes)
Heating: 6,75 kw, option 4,5 kw (except Basic model: power 4,5 kw only)



EFFICIENCY

Improved airflow system
Big fluff filter as drawer
Stacked machines: control panel can be inverted to the bottom for better ergonomics (except Basic)



ROBUSTNESS

Outer casing in grey skinplate (white lacquered panels on Basic model)
Sturdy door made in aluminium
Drawer as fluff filter: not in the door
Industrial fan and powerful airflow
Sturdy construction of the structure and panels



OTHERS

Transmission by pulley and belt
Galvanized drum
Axial airflow
Big door diameter: 588 mm
Integrated COOL DOWN: anti-wrinkle at the end of drying cycle
Basic model available in two versions: three-phase model or single-phase model (not convertible)
Electric or gas heating
CE approved



DPR-8/10 EM



WPR+DPR



DPR-10 BASIC EM

OPTIONS

- Programming console for EM control
- Reversible door opening
- AISI 304 stainless steel outer casing (except Basic)
- AISI 304 stainless steel drum (except Basic)
- Control panel in the bottom (stacked dryer)
- Ergonomic plinth (except Basic)
- Coiner kits: coins/tokens + box, central pay



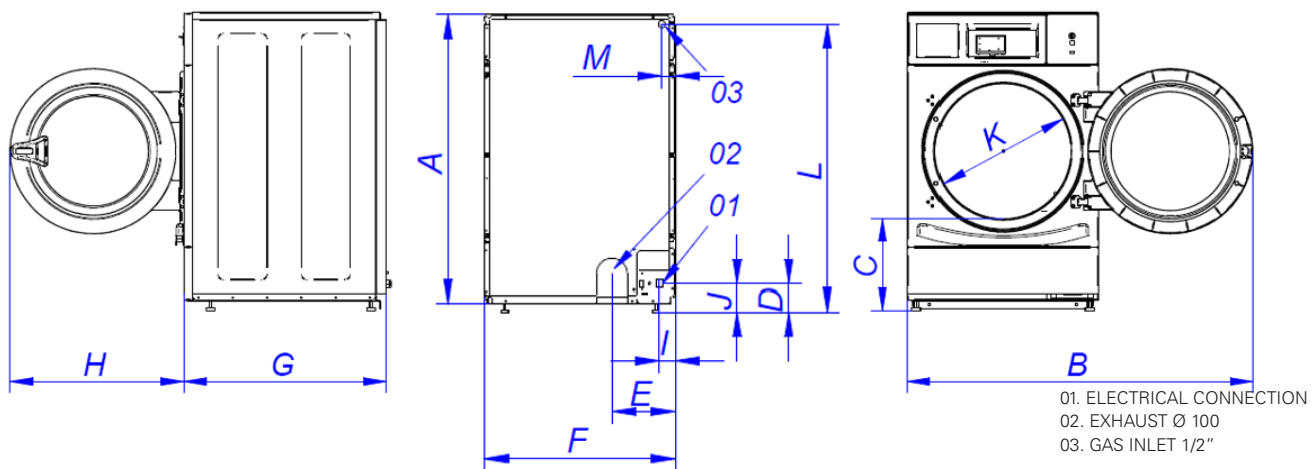
Intertek



Intertek

TECHNICAL DATA	UNIT.	DPR-8 EM	DPR-10 EM / DPR-10 BASIC EM		
DRUM					
Capacity 1:20	Kg	8	10		
Volume	l	160	200		
Drum diameter	mm	590	590		
Drum depth	mm	585	690		
GENERAL DATA					
EM control	-	Electronic	Electronic		
USB connection	-	NO	NO		
Construction	-	Skinplate	Skinplate / White lacqued panels		
Plinth	-	Opt	Opt / Not available		
Sound level	dB	62	62		
Self service version	-	YES	YES / YES		
DOOR					
Height door center	mm	554	554		
Height door base	mm	320	320		
Door diameter	mm	480	480		
POWER					
Motor	kW	0,37	0,37		
Electric heating	kW	4,5 / 6,75	4,5 / 6,75 (Basic : 4,5 only)		
Gas heating	kW	7	7		
LPG gas consumption	Kg/h	0,45	0,45		
Natural gas consumption	m3/h	0,46	0,46		
CONNECTIONS		ELECTRIC	GAS	ELECTRIC	GAS
Tension 230V I+N+T 50/60Hz	N° x mm2 / A	3 x 10 / 40A	3 x 1,5 / 10A	3 x 10 / 40A	3 x 1,5 / 10A
Tension 230V III +T 50/60Hz		4 x 4 / 25A	3 x 1,5 / 10A	4 x 4 / 25A	3 x 1,5 / 10A
Tension 400V III +N+T 50/60Hz		5 x 2,5 / 16A	3 x 1,5 / 10A	5 x 2,5 / 16A	3 x 1,5 / 10A
Tension 440V III +T 60Hz		5 x 2,5 / 16A	2 x 1,5 / 10A	5 x 2,5 / 16A	2 x 1,5 / 10A
Tension 480 V III + T 60Hz		5 x 2,5 / 16A	2 x 1,5 / 10A	5 x 2,5 / 16A	2 x 1,5 / 10A
Fume exhaust diameter	mm	100	100	100	100
Maximum airflow	m3/h	300	300	300	300
Optimal airflow	m3/h	200	200	200	200
Outlet pressure	mbar	1,6	1,6	1,6	1,6
DIMENSIONS / PACKING DIMENSIONS					
Net / gross width	mm	680 / 710	680 / 710	680 / 710	680 / 710
Net / gross depth	mm	722 / 832	722 / 832	775 / 832	775 / 832
Net / gross height	mm	1.056 / 1.141	1.056 / 1.141	1.056 / 1.141	1.056 / 1.141
Net / gross weight	kg	89 / 101	89 / 101	93 / 104	93 / 104
Volume	m3	0,67	0,67	0,67	0,67

We recommend at least a free air intake 4 times the inlet section 0,0314 m² or equivalent to 10 Pa of pressure drop. The minimum free air take in any case must be 0,0161 m² (25 in²).



	A	B	C	D	E	F	G	H	I	J	K	L	M
DPR-8	1.056	1.227	320	140	226	680	722	615	57	91	480	1.015	50
DPR-10	1.056	1.227	320	140	226	680	775	615	57	91	480	1.015	50