



DD-BRONZE EM TUMBLE DRYERS

DD-23 / 28 / 35



EM PROGRAMMER

Easy-to-use electronic control with push buttons to control temperature and time



OUTSTANDING FEATURES

Reversing drum action as standard
Stainless steel drum as standard
Frequency inverter as standard



EFFICIENCY

DOUBLE FLOW - mixed axial-radial airflow
Big fluff filter



VERSATILITY

Make to order - customisation
OPL > Multivending - Standard OPL model easily trasformable to coin laundry uses



ERGONOMICS

Drawer as fluff filter, made of stainless steel
Biggest door diameters
Opening sense of door adjustable on site



MAINTENANCE

Hinged panel: easy and ergonomic access
Technical menu: statistics, alarm, autotest, data recovery for technicians and maintenance with external console

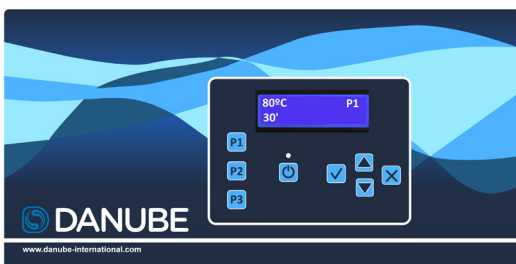


OTHERS

Grey skinplate outer casing, stainless steel look
SOFT DRY - new drum with stamped holes
COOL DOWN - anti-wrinkle at the end of the cycle
Heating options: electric, gas and steam
CE approved



EM programmer + new display



OPTIONS

- New display for EM programmer
- Double doorglass
- Reverse door opening
- Rear panel with external air inlet + filter
- Stainless steel steam battery
- Low pressure steam battery
- Stainless steel outer casing
- Stainless steel front panel
- Fluff filter with grid 0,6 or 1,2 mm (standard is 0,3 mm)



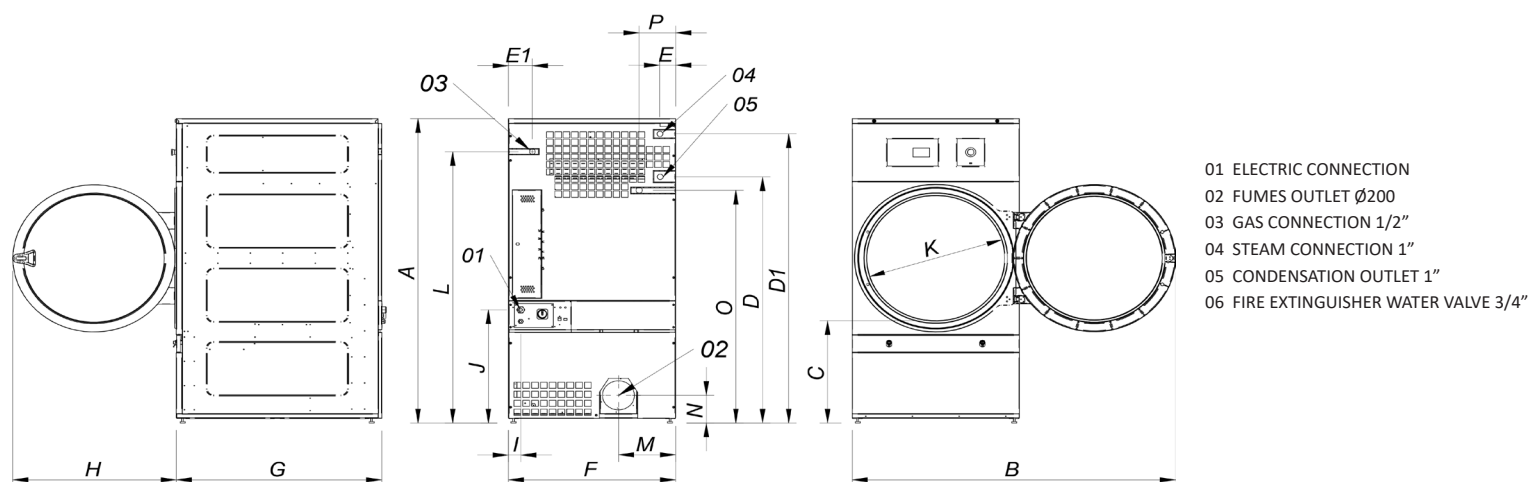
Intertek



Intertek

TECHNICAL DATA	UNIT.	DD-23 BRONZE EM	DD-28 BRONZE EM	DD-35 BRONZE EM			
CAPACITY							
Capacity 1/18	Kg	26	31	37			
Capacity 1/20	Kg	23	28	33			
Hourly Output BRONZE*	Kg/h	41-35	56-53	70-65			
Evaporation capacity BRONZE*	l/h	20,40	30,90	32,10			
DRUM							
Ø Drum	mm	855	947	947			
Ø Door	mm	574	802	802			
Door center height	mm	1.030	1.040	1.040			
Load hole bottom height	mm	743	640	640			
Drum length	mm	800	780	936			
Drum volume	l	460	550	660			
POWER							
Drum motor power	Kw	0,37	0,55	0,55			
Fan motor power BRONZE	Kw	0,55	0,55	0,55			
Electric heating power ALL RANGES	Kw	24	30	36			
Total electric power (elec.model) BRONZE	Kw	24,97	31,15	37,15			
Gas heating power ALL RANGES	Kw	31	41	41			
Total electric power (gas model) BRONZE	Kw	0,97	1,15	1,15			
Steam heating power ALL RANGES	Kw	49,20	50,10	50,10			
Total electric power (steam model) BRONZE	Kw	0,97	1,15	1,15			
CONNECTIONS							
		ELECTRICAL	STEAM / GAS	ELECTRICAL	STEAM / GAS	ELECTRICAL	STEAM / GAS
Tension 230V - I + N + T	N° x mm2 / A	-	3 x 1,5 / 20A	-	3 x 1,5 / 20A	-	3 x 1,5 / 20A
Tension 230V - III + T	N° x mm2 / A	4 x 25 / 80A	3 x 1,5 / 20A	4 x 35 / 100A	3 x 1,5 / 20A	4 x 50 / 125A	3 x 1,5 / 20A
Tension 400V - III + N + T	N° x mm2 / A	5 x 10 / 40A	3 x 1,5 / 20A	5 x 16 / 63A	3 x 1,5 / 20A	5 x 16 / 63A	3 x 1,5 / 20A
Ø Gas inlet	BSP	1/2"		1/2"		1/2"	
Ø Steam inlet	BSP	1"		1"		1"	
Ø Condensed (Steam models)	BSP	1"		1"		1"	
DIMENSIONS / PACKING DIMENSIONS							
Net Width / Gross Width	mm	890 / 970		985 / 1.065		985 / 1.065	
Net Depth / Gross Depth	mm	1.255 / 1.345		1.054 / 1.154		1.210 / 1.310	
Net Height / Gross Height	mm	1.812 / 1.940		1.946 / 2.080		1.946 / 2.080	
Height without heating battery	mm	-		-		-	
Net weight / Gross weight	Kg	210 / 230		230 / 260		260 / 285	
OTHERS							
Max airflow BRONZE	m3/h	1.200		1.200		1.200	
Ø Fume exhaust	mm	200		200		200	
Sound level BRONZE	dB	65		65		65	

* It may vary depending on the type of heating, filter cleanliness or extraction type.



	A	B	C	D	D1	E	E1	F	G	H	I	J	K	L	M	N	O	P
DD-23	1812	1552	742	1430	1532	112	55	890	1255	735	95	920	575	1344	238	180	885	65
DD-28	1946	1910	660	1590	1875	102	130	985	1054	970	70	730	802	1760	337	178	1510	215
DD-35	1946	1910	660	1590	1875	102	130	985	1210	970	70	730	802	1760	337	178	1510	215