

FLATWORK DRYER IRONERS



WHEN PERFECT IRONING IS A MUST

Danube International supplies a full range of cylinder heated long lasting flatwork dryer ironers. Simple or equipped with sophisticated devices, these machines are designed for high performance and energy savings.

Danube range of flatwork ironers are built to meet the needs of hotels, healthcare facilities, nursing homes and on premises laundries. Designed to improve the production efficiency of our customers and to reduce operating costs, they are recognized among the dryer ironers to be functional and safely easy to use. Innovative and compact, they save space and offer various options which make them adaptable to most of the requirements.

4 ranges are available: the smallest ones with roll ø 200 and 325 mm and working width from 1 m40 to 2 m according to models are controlled by electronic programmer, simple and easy to use, they perfectly meet the needs of small structures and combine speed and quality of ironing at the best price. Our biggest range come with roll ø 500 and 650 mm and are specially designed to meet the requirement of hotels, healthcare institutions or nursing homes where productivity and quality are undoubtedly linked. Besides they offer a wide range of features thanks to the new ET2 microprocessor and options to save time and energy such as automatic speed regulation, lengthwise folder, higher ironing speed...



RANGE OF MODELS

FLATWORK IRONERS - Ø 200 mm

CONTROL TYPE	HEATING	WORKING WIDTH		
		1,40 m		
EC control	Electric	MICRA II		

FLATWORK IRONERS - Ø 325 mm

CONTROL TYPE	HEATING	WORKING WIDTH		
		1,40 m	1,60 m	2 m
EC control	Electric or gas	DII-14	DII-16	DII-20

FLATWORK IRONERS - Ø 500 mm

CONTROL TYPE	HEATING	WORKING WIDTH		
		2 m	2,60 m	3,3 m
ET2 control	Electric, gas or steam	M-20 ET2	M-26 ET2	M-33 ET2

FLATWORK IRONERS - Ø 650 mm

CONTROL TYPE	HEATING	WORKING WIDTH		
		2 m	2,60 m	3,3 m
ET2 control	Electric, gas or steam	G-20 ET2	G-26 ET2	G-33 ET2

HEATING CODES: E = ELECTRIC, G = GAS, GR = GAS RADIANT, S = STEAM

SMALL & MIDDLE RANGE: DRYING IRONING

PRODUCTIVE RANGE: DRYING IRONING FOLDING (OPT)



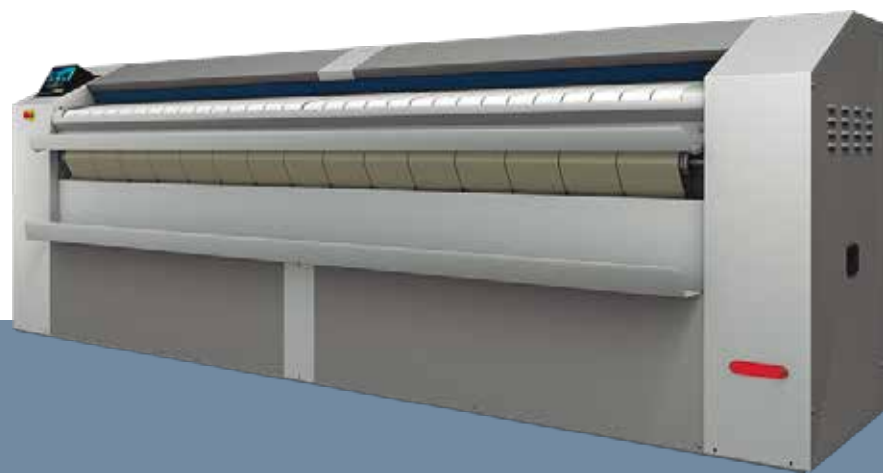
Ø 200 / 325 MM FLATWORK IRONER

- ✓ Dries and irons flat linen directly from a high spin washer extractor in a single operation.
- ✓ Front feeding and return.
- ✓ Roll in polished steel.
- ✓ Motor with speed inverter.
- ✓ Built-in cool down system.
- ✓ User friendly and simple electronic control: selection of ironing speed and temperature.
- ✓ Feeding and ironing by Nomex belts.
- ✓ Ø 200 model only electric. Width 1,40 m.
- ✓ Ø 325 models electric and gas heating.
- ✓ Sizes 1,40 m / 1,60 m / 2 m.
- ✓ **OPTIONS ø 325 mm**
 - Humidity control with automatic ironing speed regulation.
 - Chrome plate roll.

Ø 500 MM FLATWORK IRONER

- ✓ Dries and irons flat linen directly from a high spin washer extractor in a single operation.
- ✓ Front feeding and return.
- ✓ Electric, gas or steam heating. Gas radiant burner model available.
- ✓ Sizes: 2 m / 2,60 m / 3,30 m.
- ✓ ET2 microprocessor control with 7" coloured touch screen, fully programmable, 5 preset programs.
- ✓ Reversing roll as standard.
- ✓ Motor with speed inverter.
- ✓ Feeding and ironing by Nomex belts.
- ✓ Built-in cool down system.
- ✓ **OPTIONS:**
 - CARE IRON Humidity control with automatic ironing speed regulation.
 - Chrome plate cylinder.
 - HPS: high productivity system with ironing speed until 15 m/mn and reduced speed for feeding help.
 - Built-in lengthwise folder with or without rear exit.

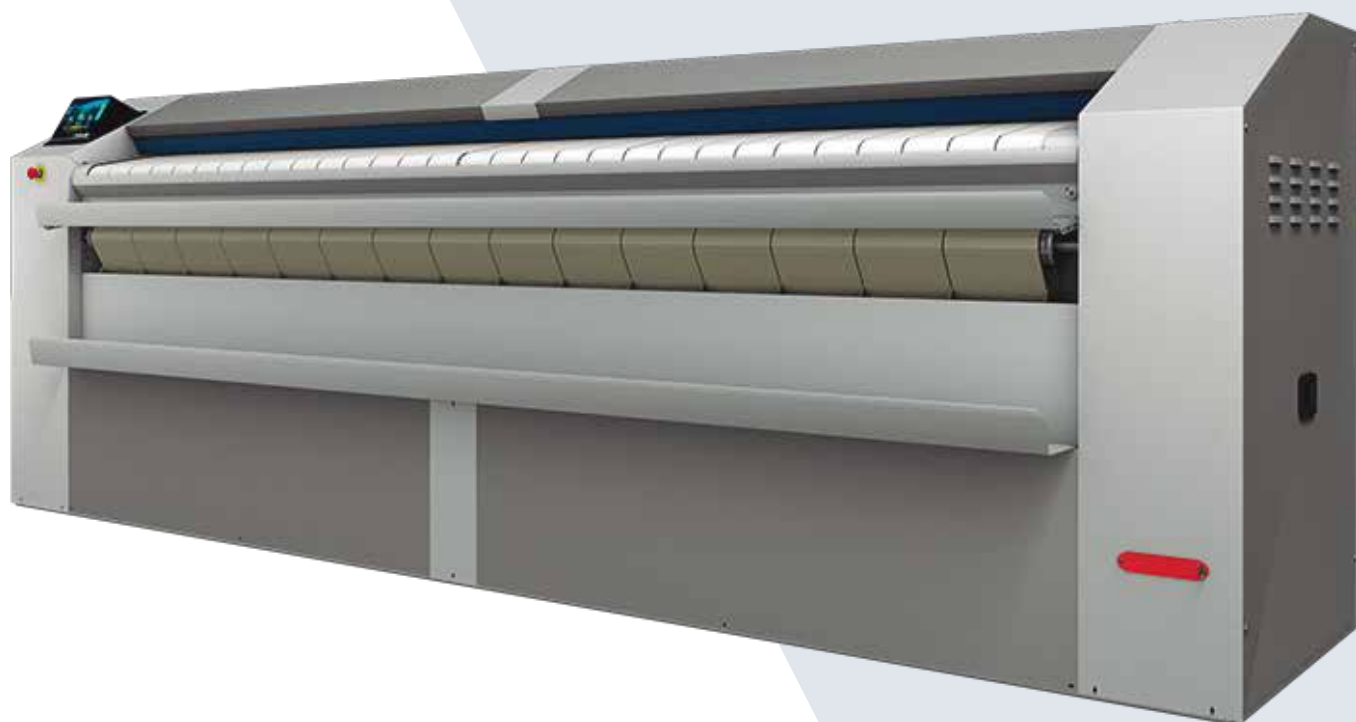
THE MOST EFFICIENT RANGE: DRYING - IRONING - FOLDING (OPT.)



Ø 650 MM FLATWORK IRONER

- ✓ Dries and irons flat linen directly from a high spin washer extractor in a single operation.
- ✓ Front feeding and return.
- ✓ Electric, gas radiant or steam heating.
- ✓ Sizes: 2 m / 2,60 m / 3,30 m.
- ✓ ET2 microprocessor control with 7" coloured touch screen, fully programmable, 5 preset programs.
- ✓ Reversing roll as standard.
- ✓ Motor with speed inverter.
- ✓ Feeding and ironing by Nomex belts.
- ✓ Built-in cool down system.
- ✓ CARE IRON Humidity control with automatic ironing speed regulation as standard.
- ✓ HPS: high productivity system with ironing speed until 15 m/mn and reduced speed for feeding help as standard.
- ✓ **OPTIONS:**
 - Chrome plate cylinder
 - Built-in lengthwise folder with or without rear exit

HIGH PERFORMANCE





EASY TOUCH 2

- Fully programmable ET2 control with 7" touch screen (ø 500 & 650 mm)
- 5 preset programs
- 38 available languages
- USB Connection: PC software free of charge for programming, traceability, data analyses...
- Connectivity ready
- Reversing roll as standard



VERSATILITY

(ø 500 & 650 mm)

- Gas radiant burner model : flexibility for a better production (25 % increase) or adaptation to high level places
- Built-in lengthwise folder
- Possibility of adding an independant crossfolder and stacker



ROBUSTNESS

- Roll driving by inverter: smooth operation preventing the wear of belts and mechanical elements
- Skinplate and stainless steel panels: long lasting
- NOMEX quality feeding and ironing belts: high temperature resistant
- Optional: chrome plate roll (ø 325, 500 & 650 mm) anticorrosive, more durable.



CONNECTIVITY

ø 500 & 650 mm with ET2 :

- Remote technical service: machine monitoring, error warning, traceability and statistics. Remote desk and date recovery for technicians and maintenance, software update, etc.
- Laundry management: DANUBE IoT solution allows to monitor and manage your laundry.



ERGONOMICS

- Acoustic comfort: 65 dba max.
- Skinplate and stainless steel panels: easy to clean, better hygiene (RABC compliance)
- Minimal encumbrance: space saving
- User-friendly and easy to read controls
 - EC ø 200 & 325 mm, selection of speed and temperature
 - ET2 ø 500 & 650 mm, fully programmable
- Appropriate working height :
 - 990 mm feeding bands (ø 200 & 325 mm)
 - 1.120 mm feeding bands (ø 500 & 650 mm)



EASY MAINTENANCE

- Easy access to all components on both sides of the machine
- Compact dimensions: save place, same dimensions with built-in folder for easier installation
- No specific installation required : electricity and exhaust
- Complete technical menu with ET2



EFFICIENCY

- CARE IRON : automatic regulation of ironing speed according to residual moisture, energy economizer (option on Ø 325 & 500 mm)
- Good heat conduction thanks to the roll material and its thickness : greater control of energy expenditure
- Fume circulation circuit from the bottom reducing energy consumption.
- Automatic shutdown at 80°C : increases life time of ironing belts.
- Accurate temperature control and lower energy consumption. (except steam models).
- Gas model with radiant burners: better hourly output by 25 %, time and energy savings.
- HPS : high production system with automatic adjustment of ironing speed , lowered for feeding and increased up to 15 m/min for an optimized production (standard on ø 650 mm, optional on ø 500 mm).



EASY TOUCH 2

Touch Screen 7"

Coloured touch screen:
7" screen (ø 500 & 650 mm models)
Fully programmable: 5 preset programs,
customization of programs according to each need.



38 languages

Available and easy to configure, thanks to DANUBE aim to be accessible to everyone.



USB connection

PC software free of charge for programming,
traceability, data analyses...





ROBUSTNESS

Our flatwork ironers have been designed to last and preserve main components as much as possible.

Nomex quality feeding and ironing belts

High temperature resistant.

Roll driving by inverter

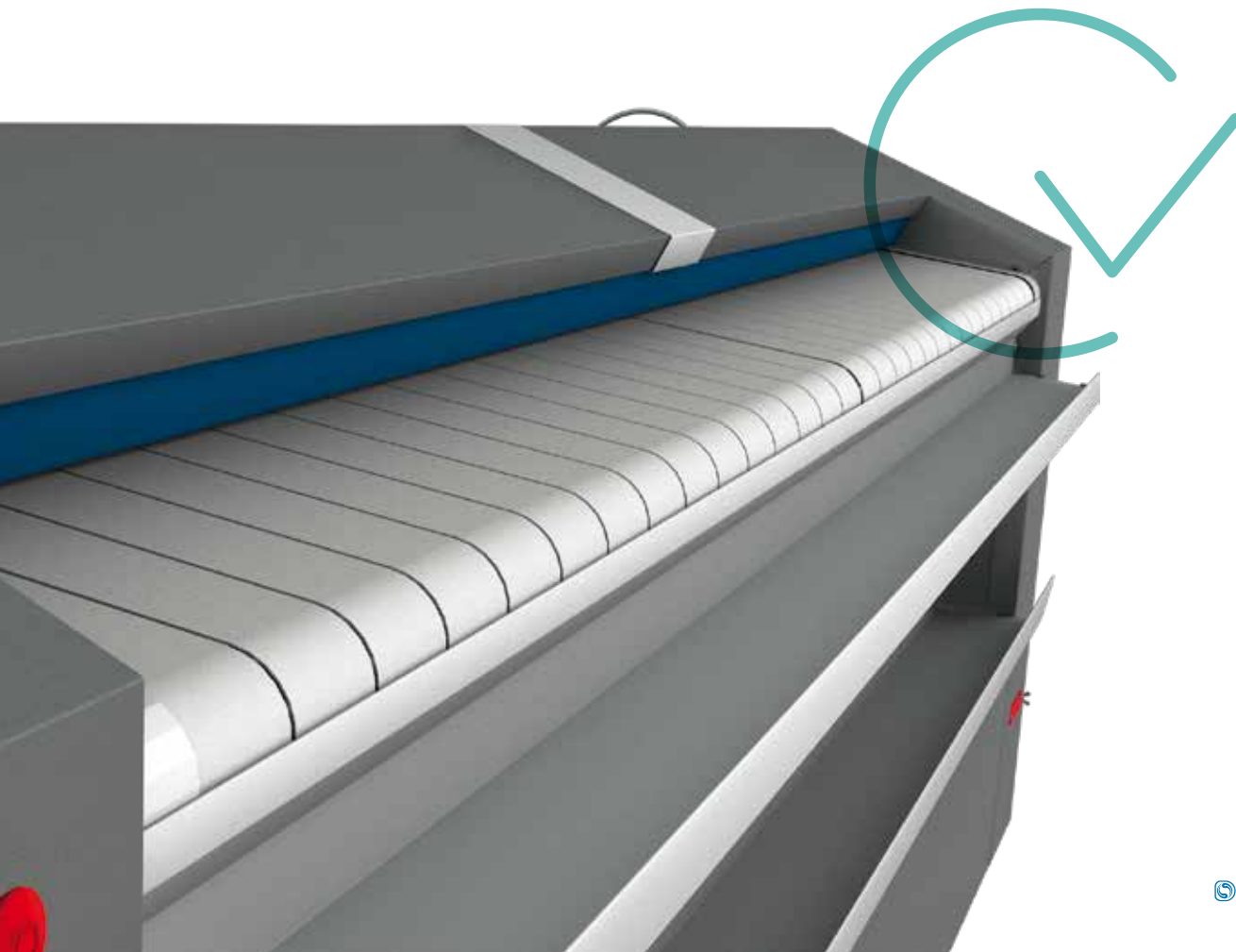
Smooth operation preventing the wear of belts and mechanical elements.

Skinplate and stainless steel panels

Long lasting and easy to clean.

Chrome plate roll (opt.)

Anti-corrosive, more durable.





EFFICIENCY

The new eco-energy ranges come with several energy and time saving features

Care Iron

Automatic regulation of ironing speed according to residual moisture, energy economizer (option on Ø 325 and 500 mm). Standard on Ø 650 mm

Good heat conduction

Thanks to the material of the roll and its thickness: greater control of the energy expenditure

Accurate temperature control

Thanks to the microprocessor (except steam models): lower energy consumption

Gas radiant burner heated model

hourly output is increased by 25 %: time and energy savings

Automatic shutdown at 80 °C

Increases the life time of ironing belts

HPS system (High Production Speed)

Automatic adjustment of ironing speed, lowered for feeding and increased for higher production up to 15 m/min. (option on Ø 500 mm and standard on Ø 650 mm)





CONNECTIVITY



THE INTERNET OF THINGS



Owners

DANUBE Online gives you the peace of mind of having control of your business. All you need to do is connect your machines to internet (using an Ethernet cable) and you can supervise your business from home or the office, without physically going to the laundry.

Customers require reliability and efficiency, and you want to provide them. Having the traceability of washing and drying cycles is essential to ensure **maximum hygiene**.

Configure the dashboards, profiles and graphs which best help you to assess and closely monitor your business or businesses in real time. You can view historical or progress data, by machine or groups.

Quick action means efficiency for your business. Confirm technical information such as machine status, historical data, breakdowns and errors, in order to have the machine back up and running as fast as possible.

Share the information and management with whoever you choose: internal or external technicians, collaborators, for the mutual benefit of all.

Prepare special offers, send out news and reach your customers directly to win their loyalty.



Dealers

You will receive the current historical information of the machines, their operation, current status and much more, so that you can give the best customer support.

- + communication
- + usability
- + control



Technical service

Remote information on machine status, error reporting, history, to facilitate anytime software updates and immediate diagnostics, as well as to reduce technical interventions and trips.

- + information
- + accuracy
- + control



Extremely safe communication

The APP notifies you of the end of the cycle via e-mail.

Manage and organize your expenditure with information such as accumulated turnover.

You will receive special offers, discounts and news conveniently on your mobile phone.

APP with payment gateway, payments using QR code.



VERSATILITY

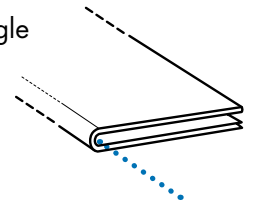
Our ø 500 & 650 mm flatwork ironers have been designed to be equipped with several options in order to meet all kind of requirements.

Rear Exit (with folder)

As option with the built-in lengthwise folder, making easier handling operations.

Integrated lengthwise folder as option

Do not take more place than the single ironer, same encumbrance for ø 500 & 650 models.

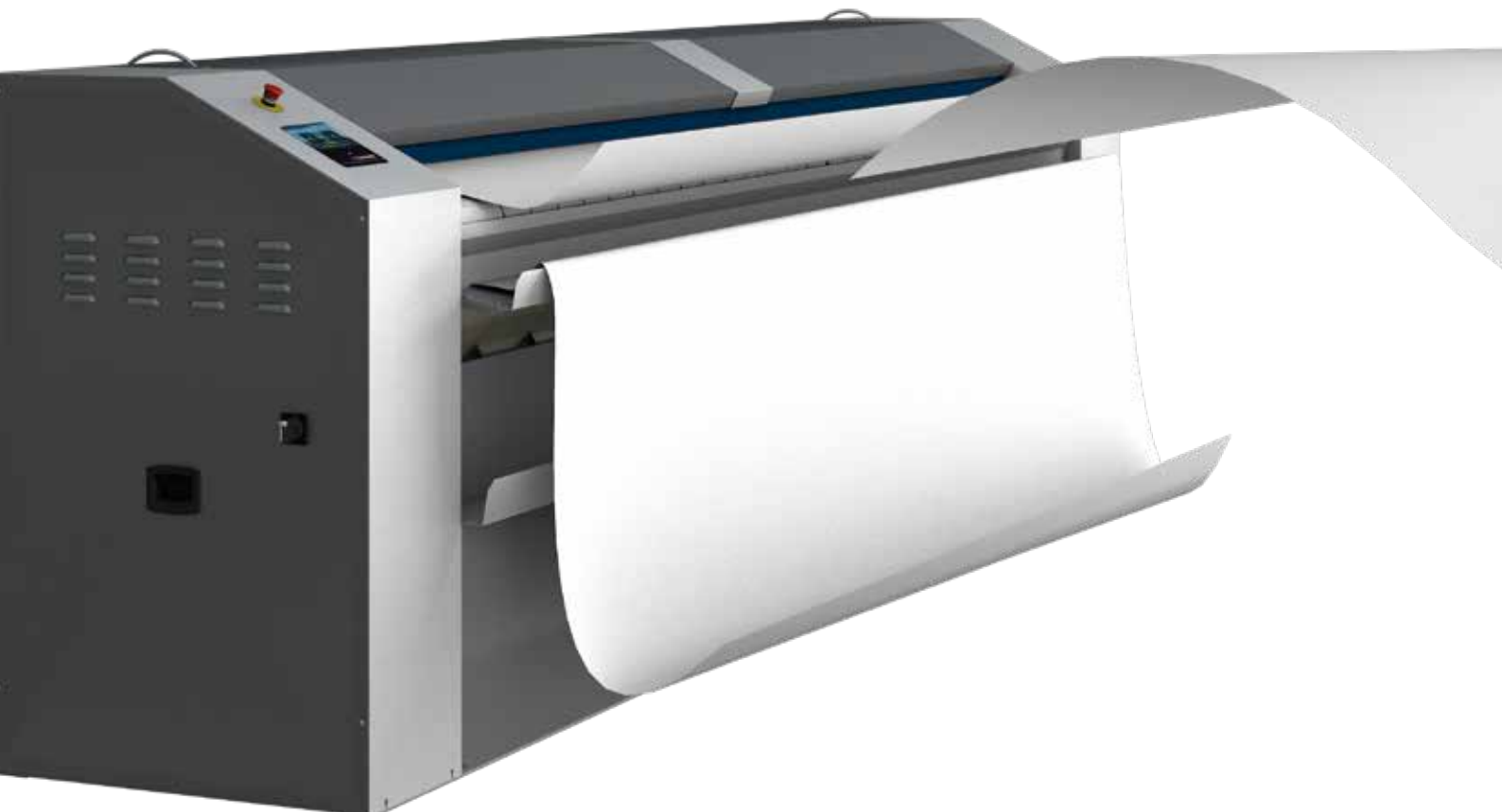
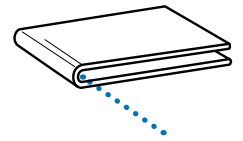


Gas radiant burner

Flexibility for a better production or adaptation to high level places with less oxygen.

Cross folder

Possibility of adding an external cross folder and stacker to increase productivity (only with model equipped with folder + rear exit).





ERGONOMICS

As health and safety at work had become an important issue, our equipment is designed to be the most comfortable for users.

Acoustic comfort

65 dba max.

Skinplate and stainless steel panels

Easy to clean, better hygiene: RABC compliance

Motor with inverter

Providing a gradual acceleration, soft use.

Minimal encumbrance

Save space, fits in most of areas.

User friendly controls

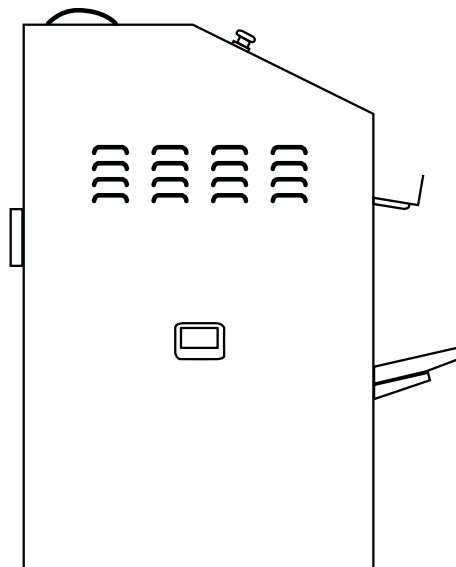
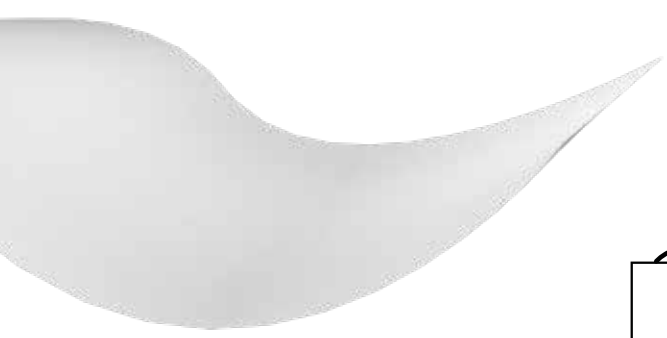
EC electronic control (ø 200 & 325 mm): selection of speed and temperature.

ET2 microprocessor (ø 500 & 650 mm): fully programmable.

Appropriate operating height

990 mm (ø 200 & 325)

1120 mm (ø 500 & 650)





EASY MAINTENANCE

One of DANUBE concerns is to make life easier for our clients. That includes offering quality equipment and parts of reputed brands, which demand little maintenance.

One electrical connection and exhaust required

Minimal encumbrance

Fits in most of areas

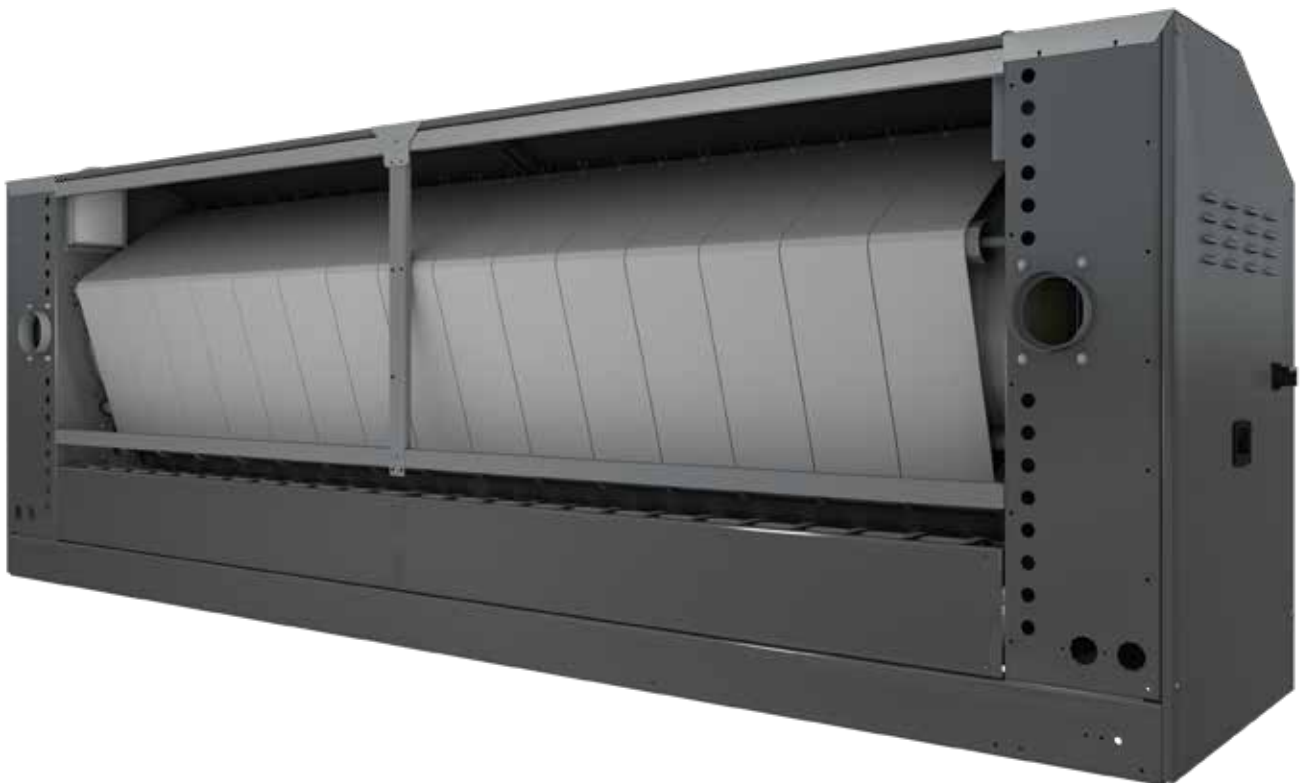
Easy access to all components

On both sides of the machine

Remote communication with ET2

Quicker intervention.

Technical menu with Easy Touch 2



FLATWORK IRONERS TECHNICAL DATA

		Ø 200		ø 325		Ø 500			Ø 650			
UNIT.		MICRAII	DII-14	DII-16	DII-20	M-20 ET2	M-26 ET2	M-33 ET2	G-20 ET2	G-26 ET2	G-33 ET2	
GENERAL DATA												
Theoretical production 45% humidity	Kg/h	12-14	10-20	20-30	30-40	50-70	60-80	80-120	65-90	80-104	104-160	
Evaporation power	l/h	8-10	7-14	14 - 21	21 - 28	35 - 49	42 - 56	56 - 84	45-63	55 - 73	73 - 110	
Roll Ø	mm	200	325	325	325	500	500	500	650	650	650	
Working width	mm	1.400	1.400	1.600	2.000	2.000	2.600	3.300	2.000	2.600	3.300	
Height floor-feeding belts	mm	990	990	990	990	1.120	1.120	1.120	1.120	1.120	1.120	
Working speed	mt/min	1-5	1-6,5	1-6,5	1-6,5	1-8	1-8	1-8	1-15	1-15	1-15	
Control	EC	EC	EC	EC	ET2	ET2	ET2	ET2	ET2	ET2	ET2	
No. Programs	N°	7	7	7	7	5	5	5	5	5	5	
Rear exit + length folder	NO	NO	NO	NO	OPT	OPT	OPT	OPT	OPT	OPT	OPT	
Large surface contact with linen	°	270	270	270	270	310	310	310	310	310	310	
POWER												
Electric	Heating power	Kw	10,5	12	16,2	21	31,5	40,5	54	42	54	72
	Total electric power	Kw	10,84	12,37	16,57	21,49	32,12	41,37	54,87	43,05	55,05	73,05
Gas	Heating power	Kw	—	14	22,5	30	40	55	69	52	69	78
	Total electric power	Kw	—	0,37	0,37	0,49	0,87	0,87	0,87	1,05	1,05	1,05
Steam	Heating power	Kw	—	—	—	—	50	64	81	60	76	97
	Total electric power	Kw	—	—	—	—	0,62	0,87	0,87	1,05	1,05	1,05
Roll motor power	Kw	0,25	0,25	0,25	0,25	0,37	0,37	0,37	0,55	0,55	0,55	
Fan motor power	Kw	0,09	0,12	0,12	0,12 x 2	0,25 (x 2 if gas)	0,25 x2	0,25 x 2	0,25 x 2	0,25 x2	0,25 x 2	
CONNECTIONS												
Ø Gas inlet	BSP	—	1/2"	1/2"	1/2"	1"	1"	1"	1/2"	1/2"	1/2"	
Ø Steam inlet	BSP	—	—	—	—	3/4"	3/4"	3/4"	3/4"	3/4"	3/4"	
Ø Condensed (Steam models)	BSP	—	—	—	—	1/2"	1/2"	1/2"	1/2"	1/2"	1/2"	
DIMENSIONS												
Width	mm	1.878	1.960	2.210	2.560	2.845	3.445	4.145	2.845	3.445	4.145	
Depth (without trays)	mm	444	644	644	644	1.070	1.070	1.070	1.070	1.070	1.070	
Height	mm	1.335	1.107	1.107	1.107	1.420	1.420	1.420	1.420	1.420	1.420	
Weight	Kg	180	300	355	405	930	1.180	1.430	1.189	1.517	1.765	
SHIPPING DIMENSIONS												
Width	mm	2.130	2.340	2.340	2.780	3.145	3.745	4.445	3.145	3.745	4.445	
Depth (without trays)	mm	770	770	770	770	1.153	1.153	1.153	1.153	1.153	1.153	
Height	mm	1.570	1.400	1.400	1.400	1.672	1.672	1.672	1.672	1.672	1.672	
Weight	Kg	220	335	375	428	972	1.470	1.480	1.231	1.567	1.815	
Volume	m3	2,57	2,52	2,52	3,00	6,06	7,22	8,57	6,06	7,22	8,57	
OTHERS												
Fume outlet	N°	1	1	1	2	1	2	2	2	2	2	
Ø Fume outlet	mm	83	98	98	98	153	153	153	153	153	153	
Air flow	m3/h	300	500	500	1000	600	1.200	1.200	1.200	1.200	1.200	
Noise Level	dB	55	60	60	63	65	65	65	65	65	65	

*DANUBE reserves the right to modify the technical data without notice.

**FLATWORK
DRYER IRONERS**

www.danube-international.com
www.danube.fr

 **DANUBE**

DANUBE International
Parc d'Activités de Sologne - CS 10026
41600 Lamotte-Beuvron - FRANCE
Tél.: +33 (0)2 54 88 05 76
Fax: +33 (0)2 54 96 89 04
Hotline: +33 (0)2 54 88 83 22
support@danube.fr
SAV: +33 (0)2 54 88 83 65
Logistique commandes:
+33 (0)2 54 88 05 76
info@danube-international.com



ONNERAGROUP